

MEADOWBROOK COMMUNITY

WAYFINDING & SIGNAGE
STREET LIGHT



SCHEMATIC DESIGN PRESENTATION

PRAIRIE VILLAGE, KANSAS • MARCH 31, 2016 • 03.14021.00 • © 2016 LRK

MEADOWBROOK COMMUNITY

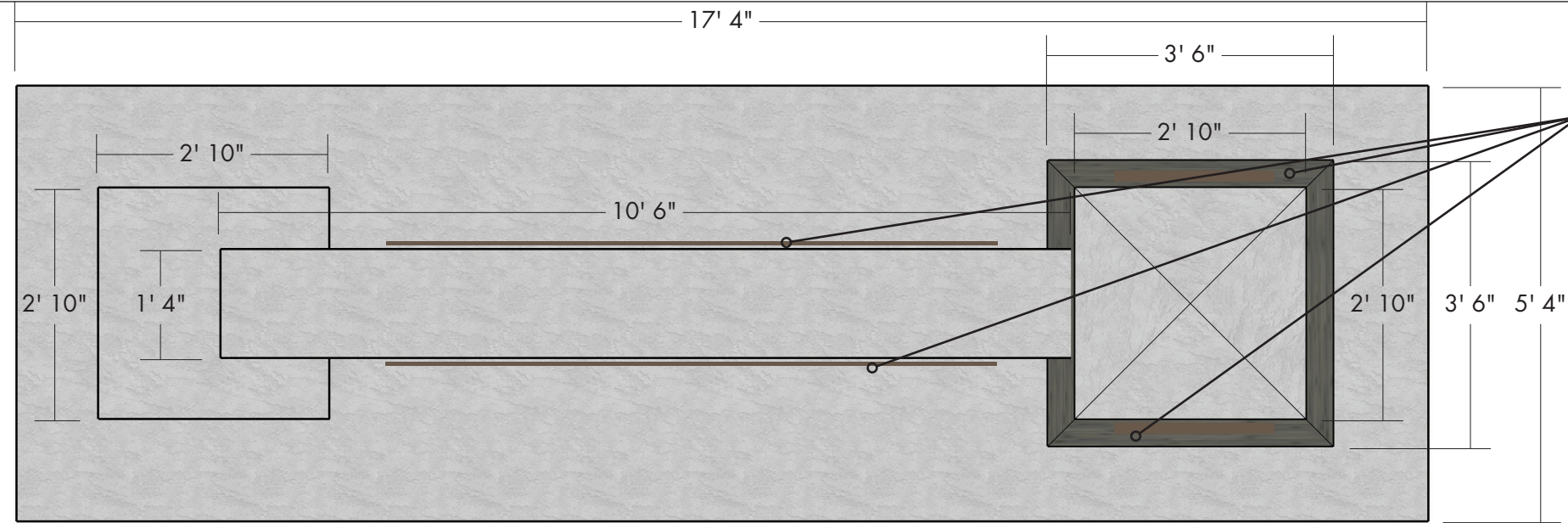
WAYFINDING & SIGNAGE



- SIGN TYPES:**
- Major Identification**
- S.I.1 Community - Primary Entry Sign
 - S.I.2 Community - Secondary Entry Sign
 - S.I.3 W. Neighborhood - Entry Sign
 - S.I.4 E. Neighborhood - Entry Sign
- Secondary Identification**
- S.I.6 Green Space Markers
- Directionals**
- S.D.1 Vehicular Directional
- Regulatory**
- S.R.1 Street Name/Traffic Control (**not shown**)

**NOTE: Site plan is illustrative only.
Refer to Landscape plans for detailed locations.**

NOTE: All logos, fonts, icons and colors are placeholder.
Details to be designed during future phases.



Medallion and metal panel are mounted to both sides of stone column/wall.

1/2" thick hollow metal panel, finished in highly durable automotive paint (ex. Matthews Paint).
Letters punched completely through panel to reveal wall behind.
Panel and letter centers pinned 2" off face of stone column using hidden fasteners.
Rear LED illumination to give glow behind letters and panel edges.

Masonry wall, columns, and base with random cut Limestone (ex. Mountain Ridge Limestone veneer).
Pre-cast masonry cap.

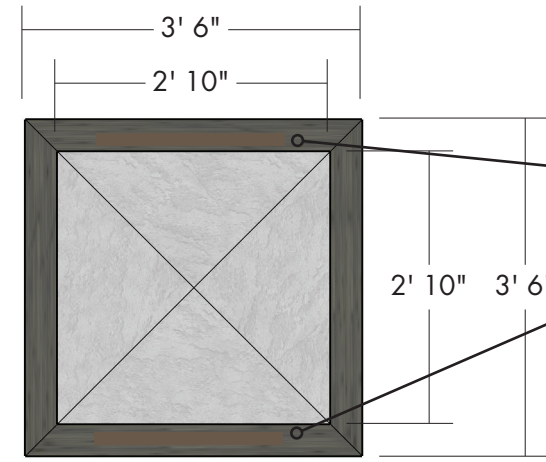
Landscaping is shown for reference only. Refer to Landscape Architect's drawings for details.



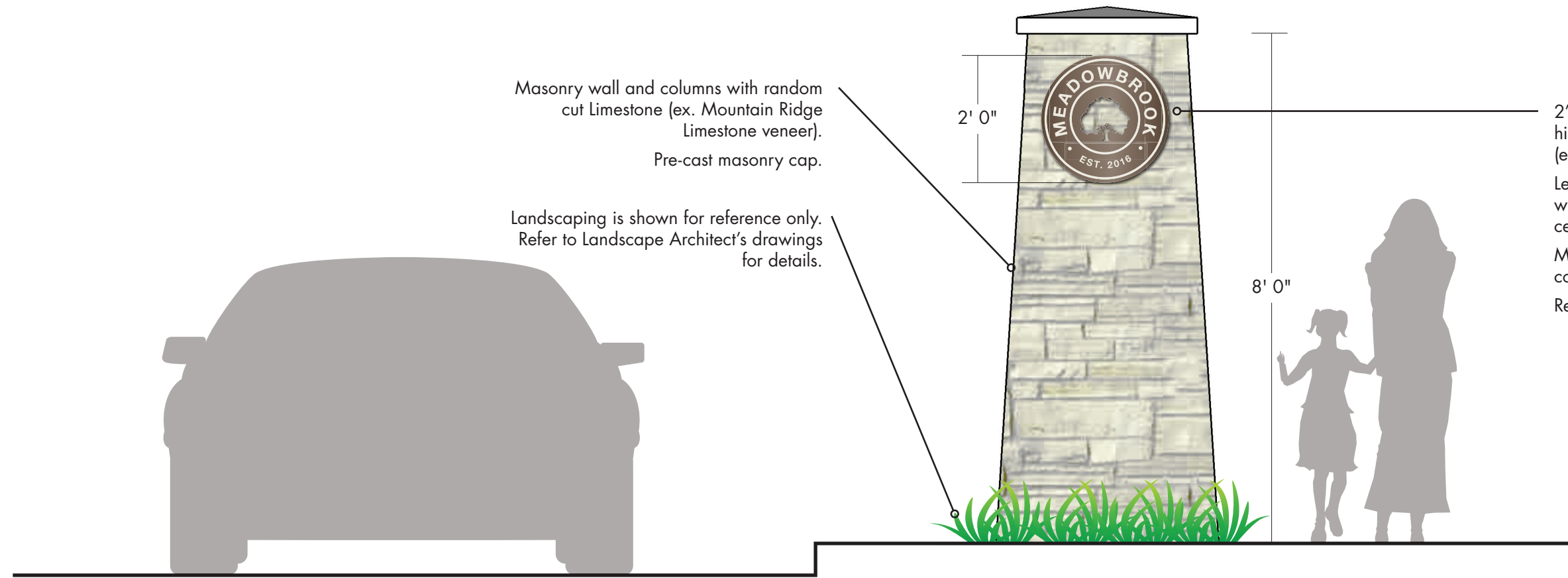
2" thick metal medallion, finished in highly durable automotive paint (ex. Matthews Paint).
Letters and rings sit proud of solid face, with icon punched completely through center to reveal wall behind.
Medallion pinned 1" off face of stone column.
Rear edge lighting to give halo effect.



NOTE: All logos, fonts, icons and colors are placeholder.
 Details to be designed during future phases.



Medallion and metal panel are mounted to both sides of stone column.



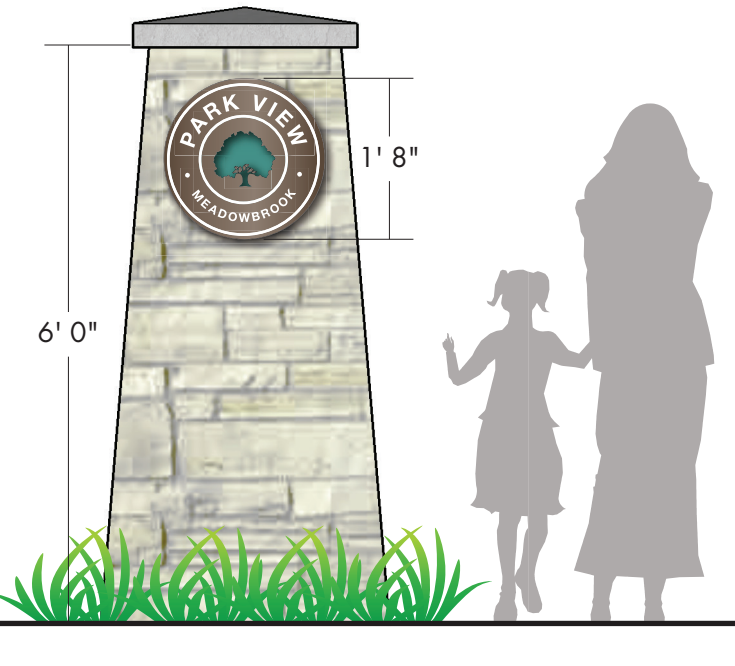
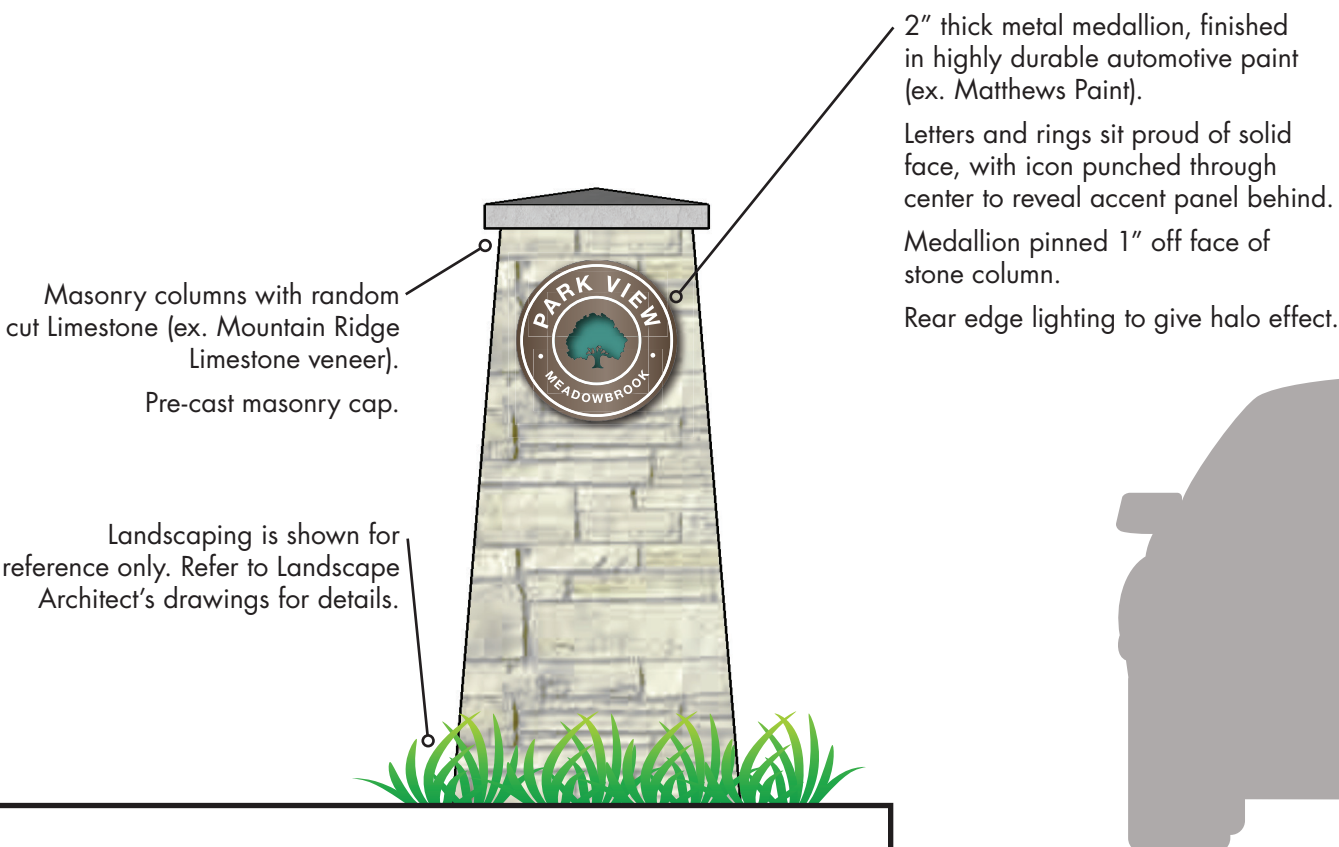
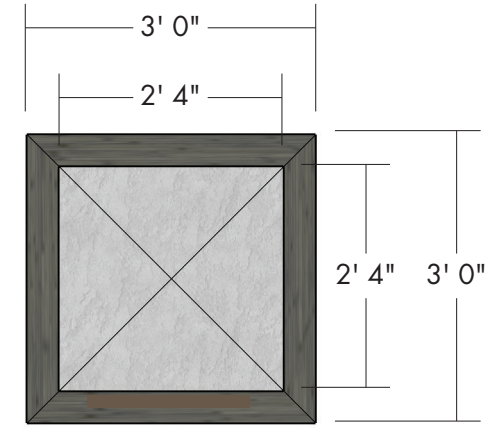
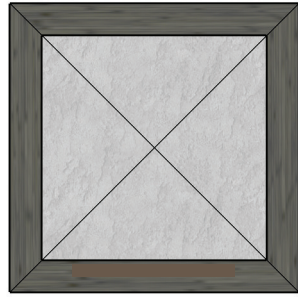
Masonry wall and columns with random cut Limestone (ex. Mountain Ridge Limestone veneer).
 Pre-cast masonry cap.

Landscaping is shown for reference only.
 Refer to Landscape Architect's drawings for details.

2" thick metal medallion, finished in highly durable automotive paint (ex. Matthews Paint).
 Letters and rings sit proud of solid face, with icon punched completely through center to reveal wall behind.
 Medallion pinned 1" off face of stone column.
 Rear edge lighting to give halo effect.

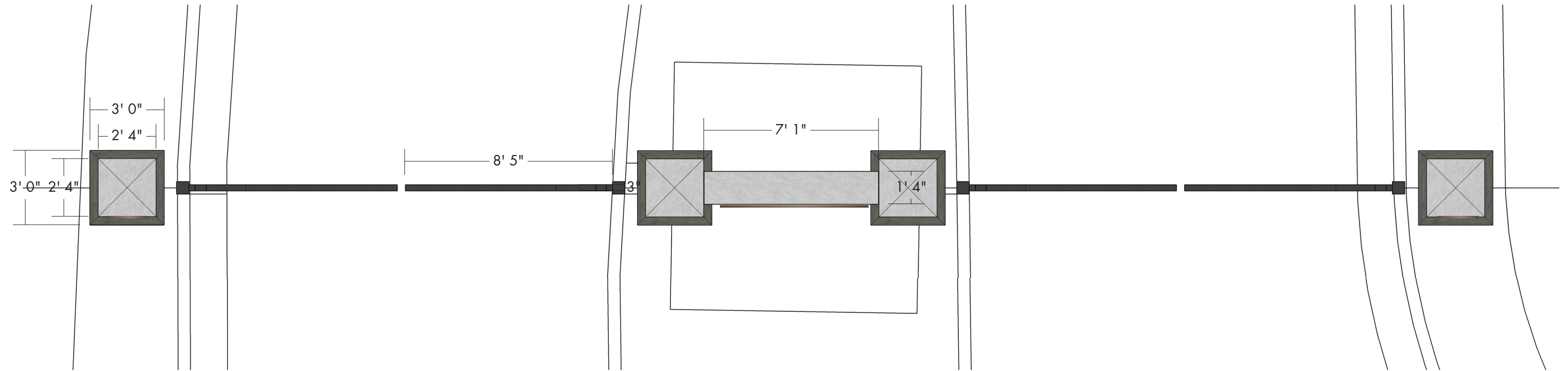
distance shown is not to scale

NOTE: All logos, fonts, icons and colors are placeholder.
 Details to be designed during future phases.



distance shown is not to scale

NOTE: All logos, fonts, icons and colors are placeholder.
 Details to be designed during future phases.



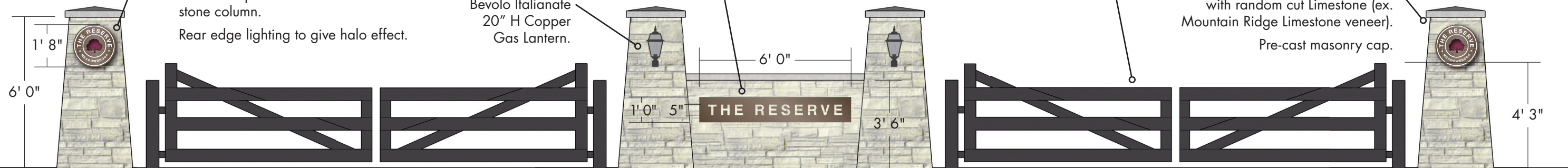
2" thick metal medallion, finished in highly durable automotive paint (ex. Matthews Paint).
 Letters and rings sit proud of solid face, with icon punched through center to reveal accent panel behind.
 Medallion pinned 1" off face of stone column.
 Rear edge lighting to give halo effect.

1/2" thick hollow metal panel, finished in highly durable automotive paint (ex. Matthews Paint).
 Letters punched completely through panel to reveal wall behind.
 Panel and letter centers pinned 2" off face of stone column using hidden fasteners.
 Rear LED illumination to give glow behind letters and panel edges.

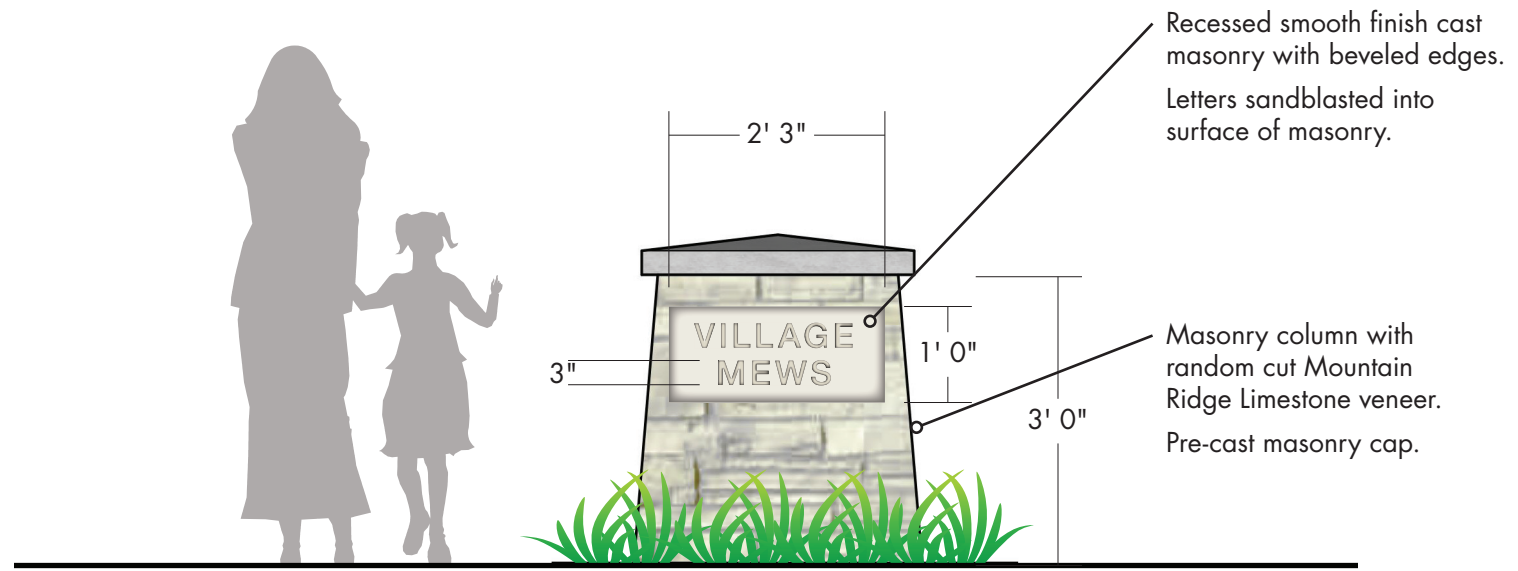
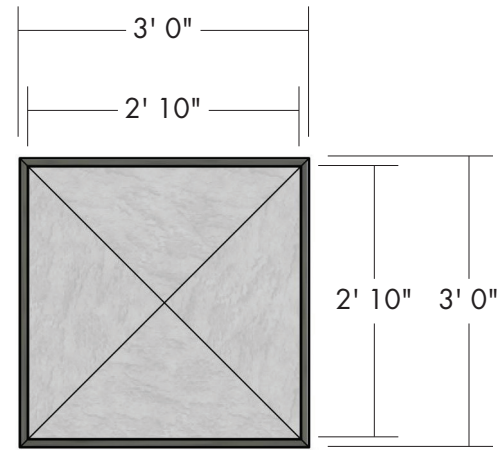
2" thick hollow metal bars/tubing, finished in highly durable automotive paint (ex. Matthews Paint) to mimic wood finish.
 Individual bars/tubes to be selected from catalogue of parts and welded to match design intent drawing.

Masonry columns and wall with random cut Limestone (ex. Mountain Ridge Limestone veneer).
 Pre-cast masonry cap.

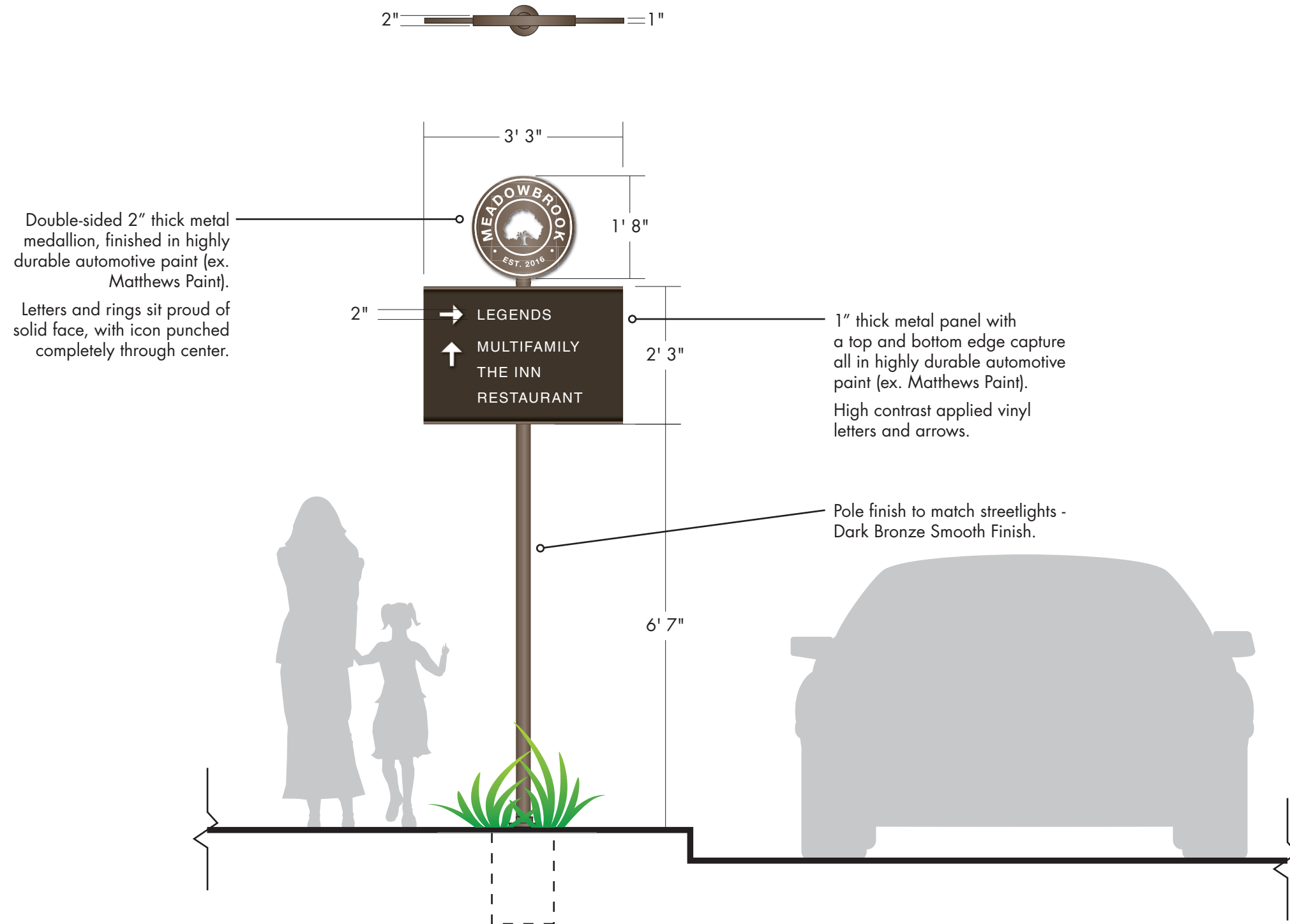
Bevolo Italianate 20" H Copper Gas Lantern.



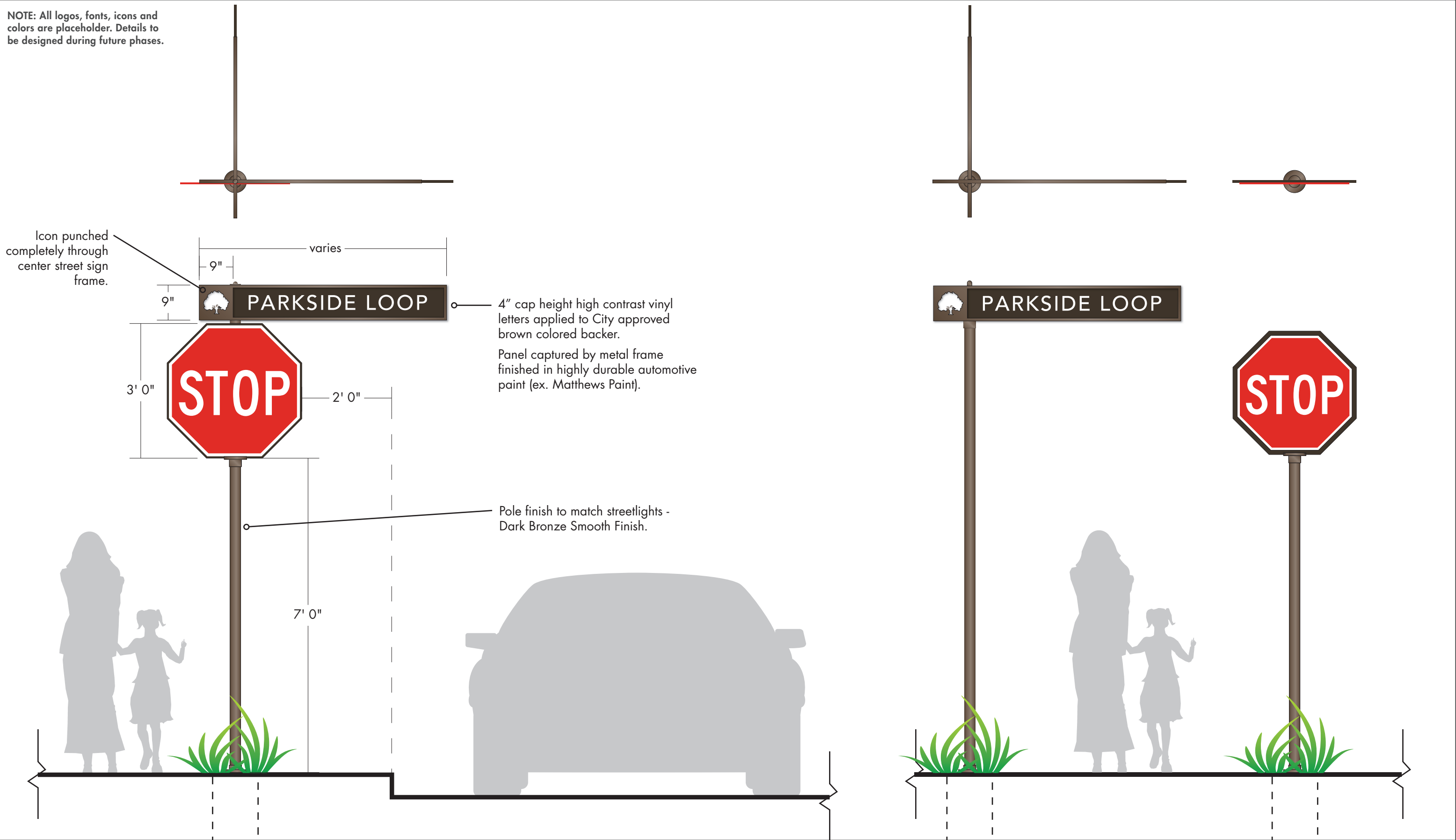
NOTE: All logos, fonts, icons and colors are placeholder.
Details to be designed during future phases.



NOTE: All logos, fonts, icons and colors are placeholder.
Details to be designed during future phases.



NOTE: All logos, fonts, icons and colors are placeholder. Details to be designed during future phases.






MEADOWBROOK COMMUNITY

STREET LIGHT



STREET LIGHT TYPES:

-  SL1 - Sternberg Double Arm Fixture
-  SL2 - Sternberg Single Arm Fixture
-  SL3 - Sternberg Single Arm Residential Fixture

**NOTE: Site plan is illustrative only.
Refer to Engineers plans for detailed locations.**



MEADOWBROOK COMMUNITY

CUT SHEETS

SL1



Catalog Number: 2-E420LEDFG/CAS4/2618T5-4/BCC/21L27T2/MDL10/HS-HB/BK Type: _____

Customer Approval: _____

Conceptual assembly drawing, subject to Engineering verification by factory.

Signature _____ Date _____

NUMBER OF ARMS: 2-

ARM MOUNTED FIXTURE: E420LED

The E420LED Euro Series is a medium / large scale, contemporary architectural fixture design. It is offered with a flat or sag glass lens and the optic assembly is rated IP66. It shall be provided with tool-less access for ease of maintenance.

Lens: Flat Glass (FG)

ARM: CAS4

POLE: 2618T5-4/

The 20" diameter cast 356 aluminum alloy base and aluminum shaft shall be a one-piece construction. The pole shall be U.L. or E.T.L. listed in U.S. and Canada.

Model: 2600 (26)
Height: 18 Ft (18)
Shaft Type: Smooth Tapered 5-4 Inch, 6063-T5 Aluminum Alloy (T5-4)

POLE CAP: BCC

2" Ball Center Cap - BCC

LIGHT SOURCE: 21L27T2/

Array: 21L (21 LEDs, 73 Watts with MD_10 or 107 Watts with MD_14) (21L)
Color Temp: 2700K (27)
Distribution: Type 2 (T2)

DRIVER: MDL10/

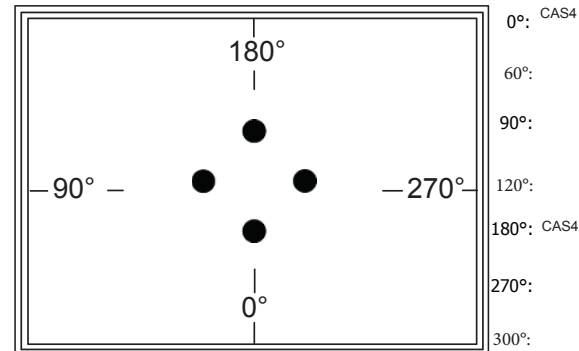
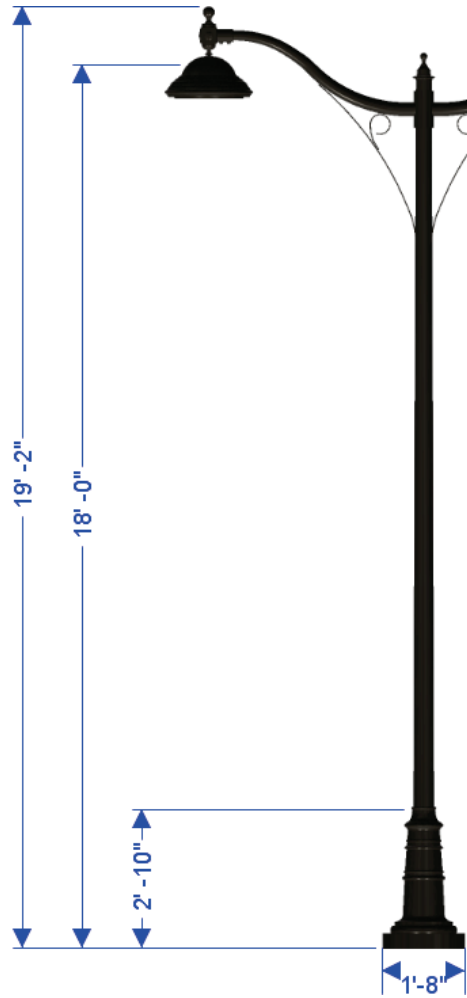
Driver: Multi-Volt Dimmable Low-Range Driver, 120-277V, 1000mA (MDL10)

OPTIONS: HS-HB/

Hangstraight: Horizontal Hang Straight, Ball Finial (HS-HB)

FINISH: DK BZ

Assembly shall be powder coated to Dark Bronze Smooth finish. Prior to coating, the assembly shall be chemically cleaned and etched in a 5-stage washing system which includes alkaline cleaning, rinsing, phosphoric etching, reverse osmosis water rinsing, and non-chrome sealing to ensure corrosion resistance.



Bolt Info: (4) 3/4" X 18" Anchor Bolts, 16" Bolt Circle, Diamond pattern

Access Door Orientation: 0°
Street Side Orientation: 180°

Rev	Description	By	Date	Job Name:
A				
B				
C				
D				
E				

Job Location:	Drawing No. 7900		
Drawn By:	Drawn Date:	Checked By:	Checked Date:

SL2



Catalog Number: 2-E420LEDFG/CAS4/2618T5-4/BCC/21L27T2/MDL10/HS-HB/BK Type: _____

Customer Approval: _____

Conceptual assembly drawing, subject to Engineering verification by factory.

Signature _____ Date _____

NUMBER OF ARMS: 1

ARM MOUNTED FIXTURE: E420LED

The E420LED Euro Series is a medium / large scale, contemporary architectural fixture design. It is offered with a flat or sag glass lens and the optic assembly is rated IP66. It shall be provided with tool-less access for ease of maintenance.

Lens: Flat Glass (FG)

ARM: CAS4

POLE: 2618T5-4/

The 20" diameter cast 356 aluminum alloy base and aluminum shaft shall be a one-piece construction. The pole shall be U.L. or E.T.L. listed in U.S. and Canada.

Model: 2600 (26)
Height: 18 Ft (18)
Shaft Type: Smooth Tapered 5-4 Inch, 6063-T5 Aluminum Alloy (T5-4)

POLE CAP: BCC

2" Ball Center Cap - BCC

LIGHT SOURCE: 21L27T2/

Array: 21L (21 LEDs, 73 Watts with MD_10 or 107 Watts with MD_14) (21L)
Color Temp: 2700K (27)
Distribution: Type 2 (T2)

DRIVER: MDL10/

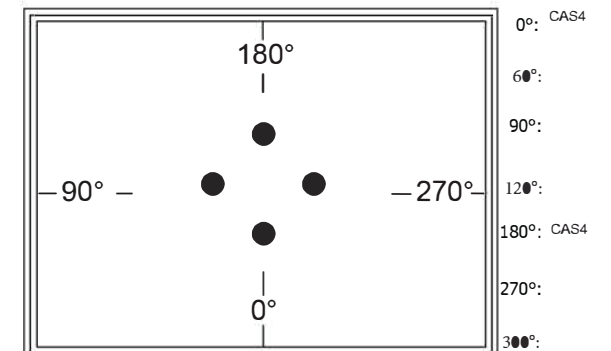
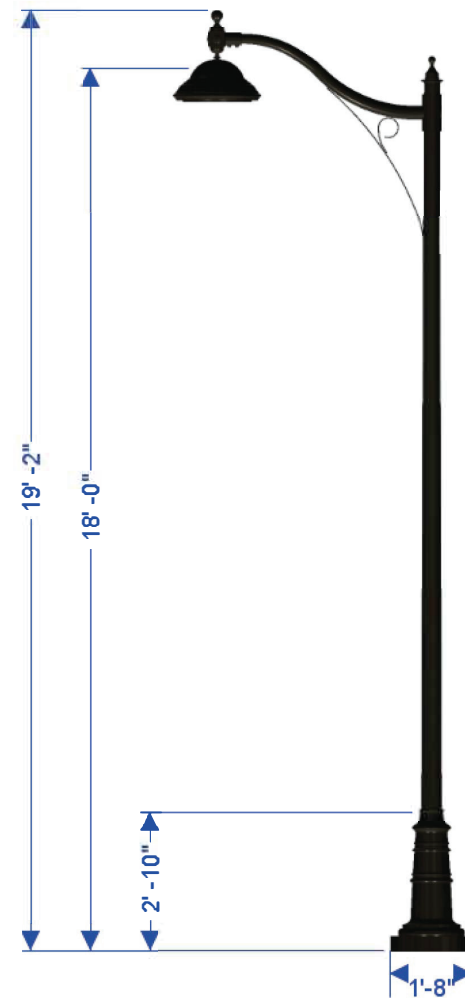
Driver: Multi-Volt Dimmable Low-Range Driver, 120-277V, 1000mA (MDL10)

OPTIONS: HS-HB/

Hangstraight: Horizontal Hang Straight, Ball Finial (HS-HB)

FINISH: DK BZ

Assembly shall be powder coated to Dark Bronze Smooth finish. Prior to coating, the assembly shall be chemically cleaned and etched in a 5-stage washing system which includes alkaline cleaning, rinsing, phosphoric etching, reverse osmosis water rinsing, and non-chrome sealing to ensure corrosion resistance.



Bolt Info: (4) 3/4" X 18" Anchor Bolts, 16" Bolt Circle, Diamond pattern

Access Door Orientation: 0°
Street Side Orientation: 180°

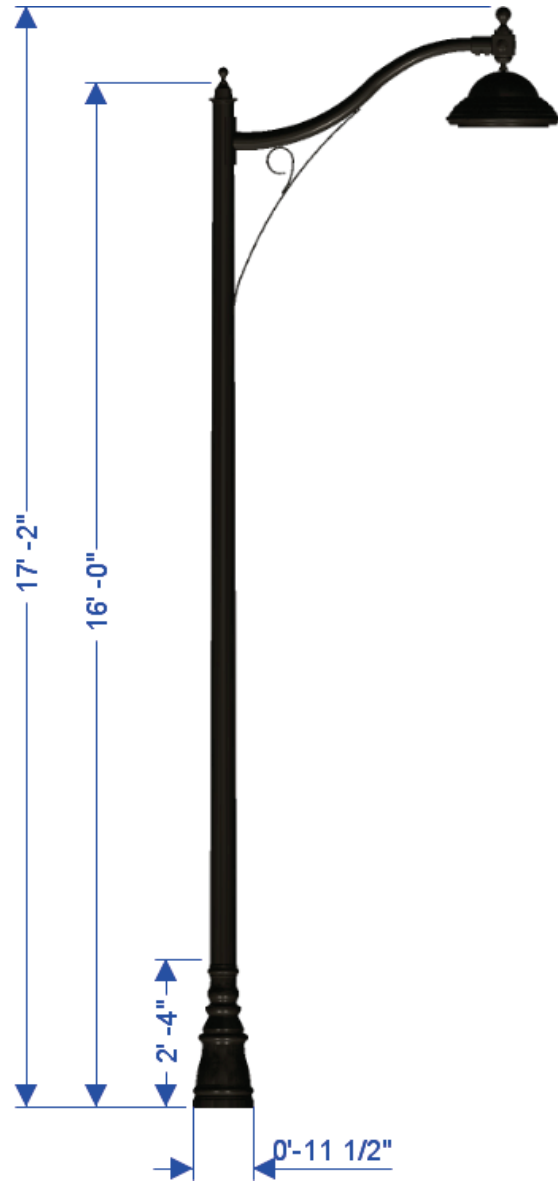
Rev	Description	By	Date	Job Name:
A				
B				
C				
D				
E				

Job Location:	Drawing No. 7900		
Drawn By:	Drawn Date:	Checked By:	Checked Date:

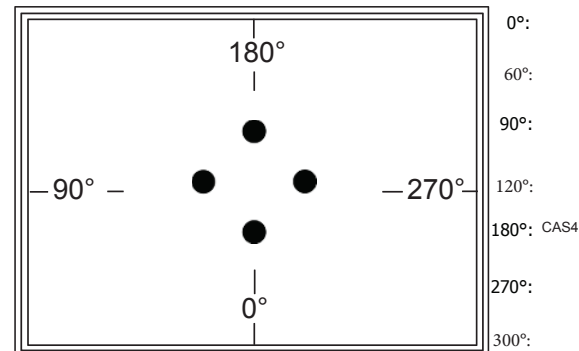
Catalog Number: 1-E420LEDFG/CAS4/3616T5-4/BCC/21L27T2/MDL10/HS-HB/BK Type: _____

Customer Approval: _____
Signature: _____ Date: _____

Conceptual assembly drawing, subject to Engineering verification by factory.



NUMBER OF ARMS: 1-
ARM MOUNTED FIXTURE: E420LED
 The E420LED Euro Series is a medium / large scale, contemporary architectural fixture design. It is offered with a flat or sag glass lens and the optic assembly is rated IP66. It shall be provided with tool-less access for ease of maintenance.
 Lens: Flat Glass (FG)
ARM: CAS4
POLE: 3616T5-4/
 The 11-1/2" diameter cast 356 aluminum alloy base and aluminum shaft shall be a one-piece construction. The pole shall be U.L. or E.T.L. listed in U.S. and Canada.
 Model: 3600 (36)
 Height: 16 Ft (16)
 Shaft Type: Smooth Tapered 5-4 Inch, 6063-T5 Aluminum Alloy (T5-4)
POLE CAP: BCC
 2" Ball Center Cap - BCC
LIGHT SOURCE: 21L27T2/
 Array: 21L (21 LEDs, 73 Watts with MD_10 or 107 Watts with MD_14) (21L)
 Color Temp: 2700K (27)
 Distribution: Type 2 (T2)
DRIVER: MDL10/
 Driver: Multi-Volt Dimmable Low-Range Driver, 120-277V, 1000mA (MDL10)
OPTIONS: HS-HB/
 Hangstraight: Horizontal Hang Straight, Ball Finial (HS-HB)
FINISH: DK BZ
 Assembly shall be powder coated to Dark Bronze Smooth finish. Prior to coating, the assembly shall be chemically cleaned and etched in a 5-stage washing system which includes alkaline cleaning, rinsing, phosphoric etching, reverse osmosis water rinsing, and non-chrome sealing to ensure corrosion resistance.



Bolt Info: (4) 1/2" X 18" Anchor Bolts, 8" Bolt Circle, Diamond pattern
Access Door Orientation: 0°
Street Side Orientation: 180°

Rev	Description	By	Date	Job Name:
A				
B				Job Location:
C				Drawn By:
D				Drawn Date:
E				Checked By:

Drawing No. 7901
Checked Date:

MOUNTAIN RIDGE LIMESTONE VENEER



NOT SHOWN TO SCALE